

IS 2150 / TEL 2810

Information Security & Privacy

James Joshi
Associate Professor, SIS



Hybrid Models
Role based Access Control

Feb 3, 2016



Objective

- Define/Understand various Integrity models
 - Clark-Wilson
- Define/Understand
 - Chinese Wall Model
 - Role-based Access Control model
- Overview the secure interoperation issue



Clark-Wilson Integrity Model

- Transactions as the basic operation
- Integrity defined by a set of constraints
 - Data in a *consistent* or valid state when it satisfies these
 - Example: Bank
 - D today's deposits, W withdrawals, YB yesterday's balance, TB today's balance
 - Integrity constraint: $D + YB - W$
- *Well-formed transaction*
 - A series of operations that move system from one consistent state to another
 - State before transaction consistent \Rightarrow state after transaction consistent
- Issue: who examines, certifies transactions done correctly?
 - Separation of duty is crucial



Clark/Wilson Model Entities

- **Constrained Data Items (CDI)** : data subject to Integrity Control
 - Eg. Account balances
- **Unconstrained Data Items (UDI)**: data not subject to IC
 - Eg. Gifts given to the account holders
- **Integrity Verification Procedures (IVP)**
 - Test CDIs' conformance to integrity constraints at the time IVPs are run (checking that accounts balance)
- **Transformation Procedures (TP)**;
 - Examples?



Clark/Wilson: Certification/Enforcement Rules

- **C1:** When any IVP is run, it must ensure all CDIs are in valid state
- **C2:** A TP must transform a set of CDIs from a valid state to another valid state
 - TR must not be used on CDIs it is not certified for
- **E1:** System must maintain certified relations
 - TP/CDI sets enforced



Clark-Wilson:

Certification/Enforcement Rules

- **E2:** System must control users
 - (*user*, TP, {CDI}) mappings enforced
- **C3:** Relations between (*user*, TP, {CDI}) must support separation of duty
- **E3:** Users must be authenticated to execute TP
 - Note, unauthenticated users may manipulate UDIs



Clark-Wilson:

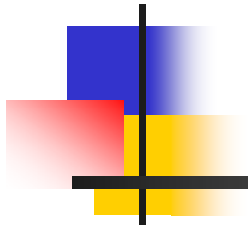
Certification/Enforcement Rules

- **C4:** All TPs must log undo information to append-only CDI (to reconstruct an operation)
- **C5:** A TP taking a UDI as input must either reject it or transform it to a CDI
- **E4:** Only certifier of a TP may change the list of entities associated with that TP; Certifier cannot execute
 - Enforces separation of duty (?)



Clark-Wilson

- Clark-Wilson introduced new ideas
 - Commercial firms do not classify data using multilevel scheme
 - they enforce separation of duty
 - Notion of certification is different from enforcement;
 - enforcement rules can be enforced,
 - certification rules need outside intervention, and
 - process of certification is complex and error prone



Hybrid Policies



Chinese Wall Model

- Supports confidentiality and integrity
 - Information flow between items in a Conflict of Interest set
 - Applicable to environment of stock exchange or investment house
- Models conflict of interest
 - *Objects*: items of information related to a company
 - *Company dataset* (CD): contains objects related to a single company
 - Written $CD(O)$
 - *Conflict of interest class* (COI): contains datasets of companies in competition
 - Written $COI(O)$
 - Assume: each object belongs to exactly one *COI* class



Example

Bank COI Class

Bank of America

PNC Bank

Citizens Bank

Gasoline Company COI Class

Shell Oil

Standard Oil

ARCO

Union' 76



CW-Simple Security Property (Read rule)

- CW-Simple Security Property
 - s can read o iff any of the following holds
 - $\exists o' \in PR(s)$ such that $CD(o') = CD(o)$
 - $\forall o', o'' \in PR(s) \Rightarrow COI(o') \neq COI(o'')$, or
 - o has been “sanitized”

($o' \in PR(s)$ indicates o' has been previously read by s)
- Public information may belong to a CD
 - no conflicts of interest arise
 - Sensitive data sanitized



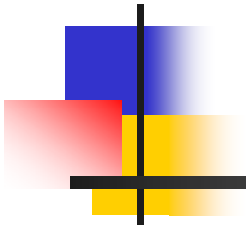
Writing

- Alice, Bob work in same trading house
- Alice can read **BankOfAmerica's** CD,
- Bob can read **CitizensBanks's** CD,
- Both can read **ARCO's** CD
- Alice could write to **ARCO's** CD,
 - what is a problem?



CW-*-Property (Write rule)

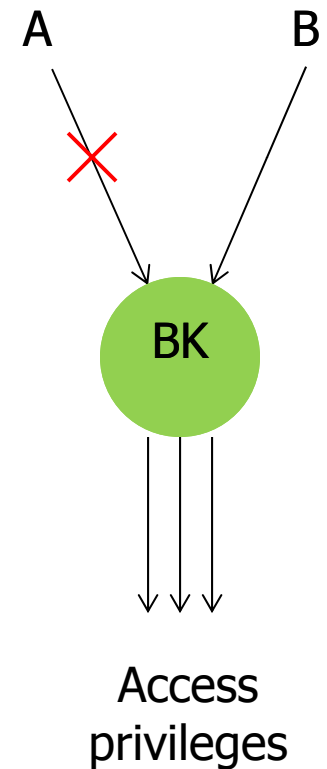
- CW-*- Property
 - s can *write* o iff the following holds
 - The CW-simple security condition permits S to read O .
 - For all unsanitized objects o' , s can read $o' \Rightarrow CD(o') = CD(o)$
 - Alice can read both CDs
 - Is Condition 1 met?
 - She can read unsanitized objects of BankOfAmerica, hence condition 2 is false
 - Can Alice write to objects in ARCO's CD?



Role-Based Access Control

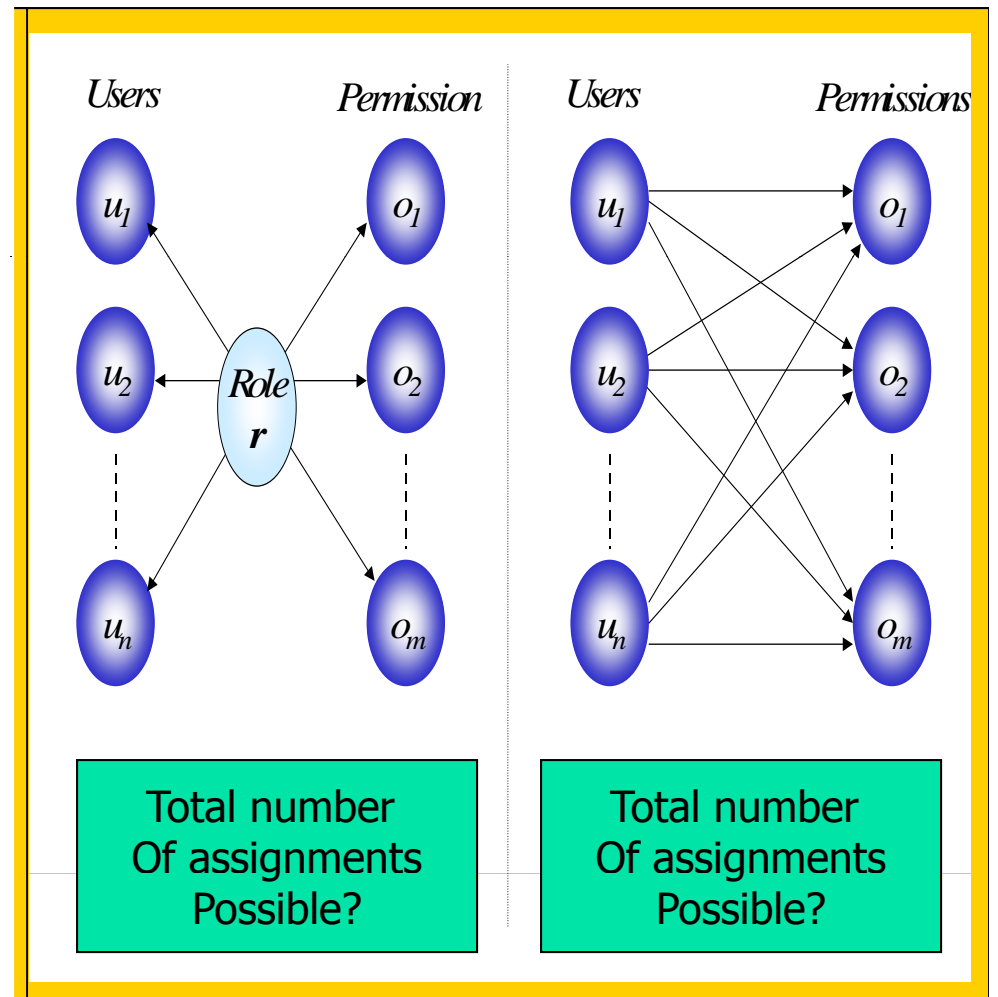
RBAC: Role Based Access Control

- Access control in organizations is based on “roles that individual users take on as part of the organization”
 - Access depends on function, not identity
 - Example:
Allison is **bookkeeper** for Math Dept. She has access to financial records.
She leaves and Betty is hired as bookkeeper
The role of “bookkeeper” dictates access, not the identity of the individual.
- A role is “is a collection of permissions”





RBAC





RBAC standard

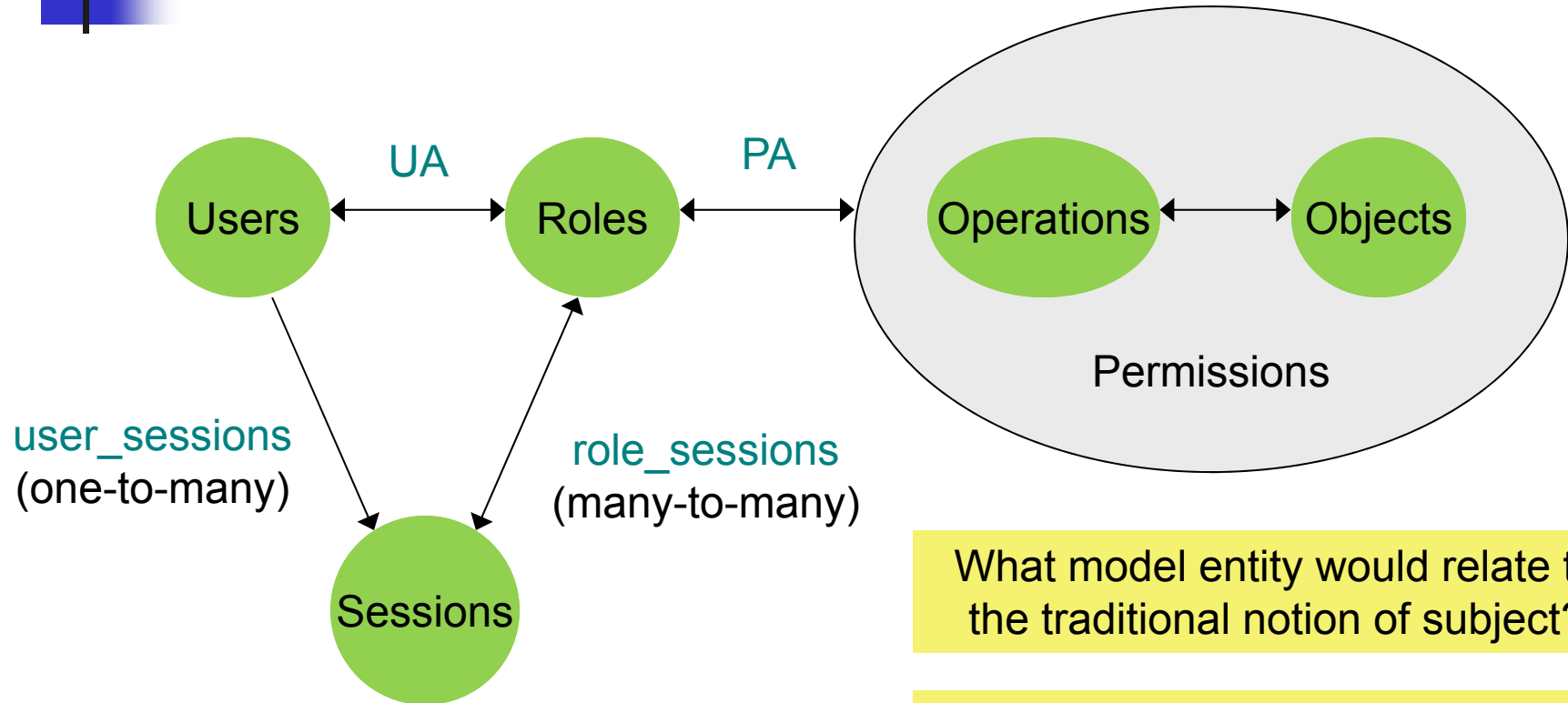
- Standards efforts
 - ACM RBAC workshops – in 90s
 - NIST Standard proposed in 2001 (TISSEC)
 - XACML Profile for RBAC
 - ANSI INCITS 359-2004 RBAC standard in 2004
- The ANSI standard consists of two parts
 - Reference Model
 - System and Administrative Functional Specification



ANSI RBAC standard – Reference Model

- Reference Model
 - Basic elements of the model
 - Users, Roles, Permissions, Relationships
 - Four model components
 - Core RBAC
 - Hierarchical RBAC
 - Static Separation of Duty RBAC
 - Dynamic Separation of Duty RBAC

Core RBAC



What model entity would relate to the traditional notion of subject?

Total number of subjects possible?

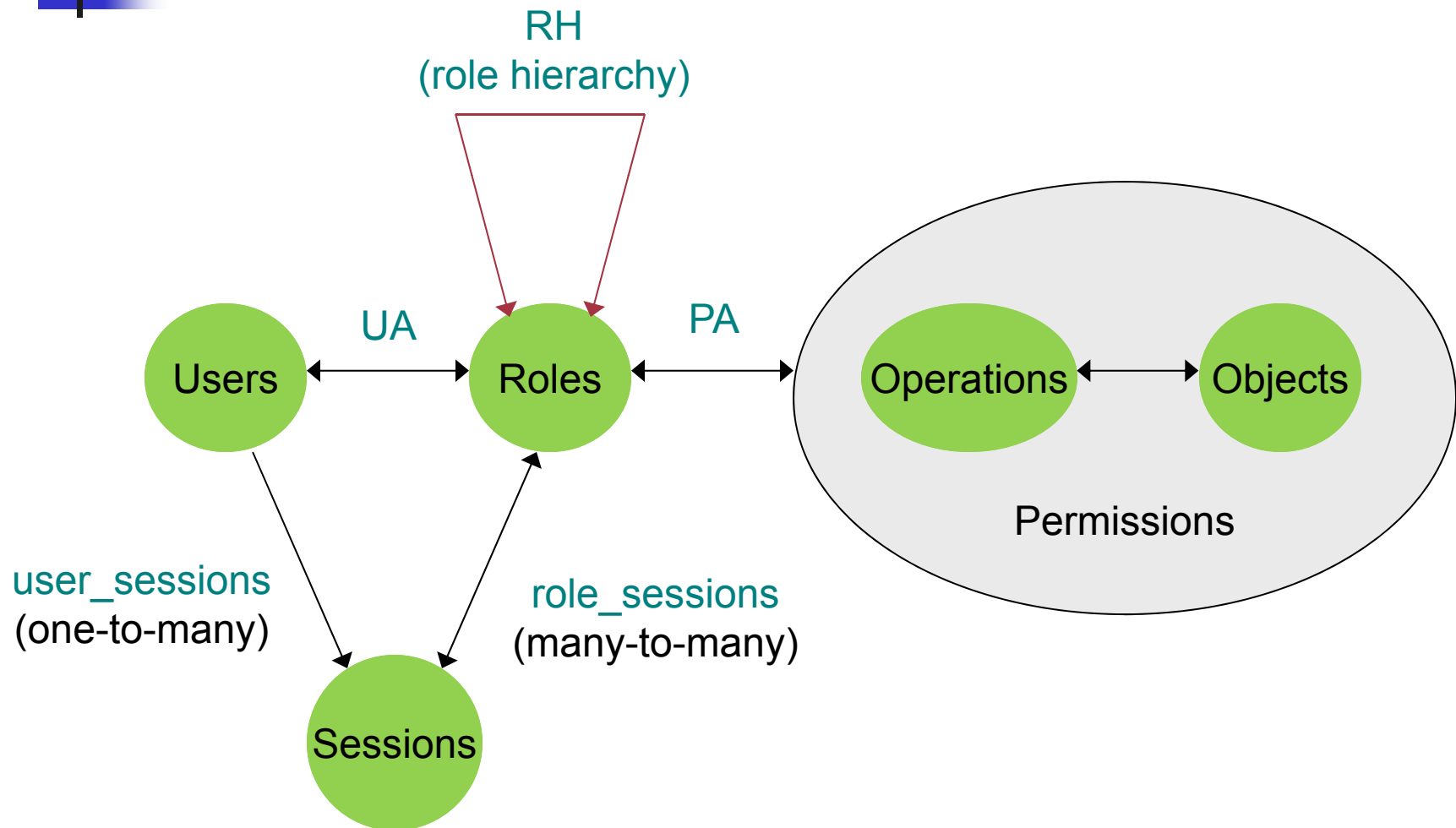
Role vs Group?



Core RBAC (relations)

- Permissions = $2^{\text{Operations} \times \text{Objects}}$
- $UA \subseteq \text{Users} \times \text{Roles}$
- $PA \subseteq \text{Permissions} \times \text{Roles}$
- *assigned_users*: Roles $\rightarrow 2^{\text{Users}}$
- *assigned_permissions*: Roles $\rightarrow 2^{\text{Permissions}}$
- $Op(p)$: set of operations associated with permission p
- $Ob(p)$: set of objects associated with permission p
- *user_sessions*: Users $\rightarrow 2^{\text{Sessions}}$
- *session_user*: Sessions $\rightarrow \text{Users}$
- *session_roles*: Sessions $\rightarrow 2^{\text{Roles}}$
 $session_roles(s) = \{r \mid (session_user(s), r) \in UA\}$
- *avail_session_perms*: Sessions $\rightarrow 2^{\text{Permissions}}$

Hierarchical RBAC



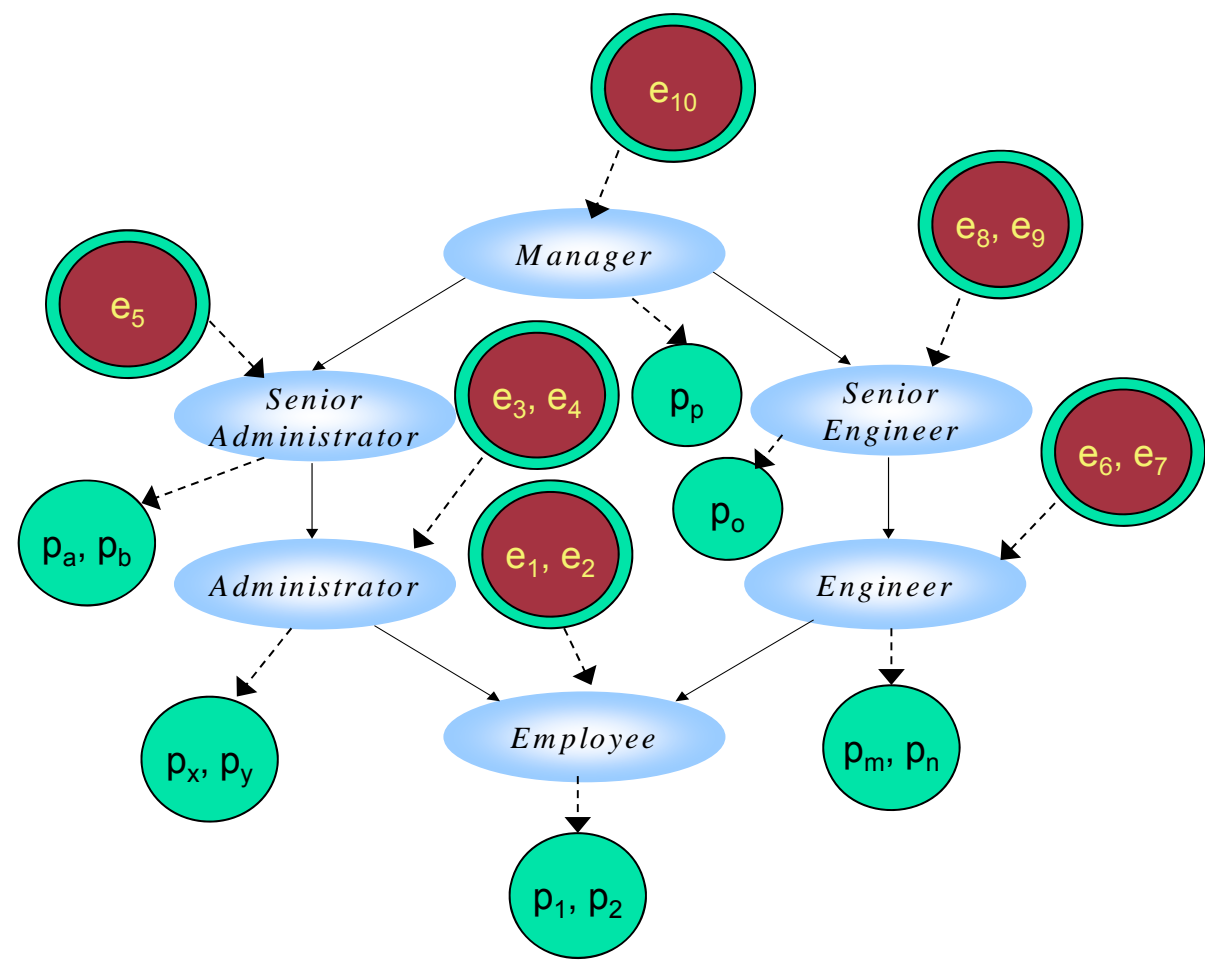
RBAC with General Role Hierarchy

- *authorized_users*: Roles $\rightarrow 2^{\text{Users}}$
 $authorized_users(r) = \{u \mid r' \geq r \& (r', u) \in UA\}$
- *authorized_permissions*: Roles $\rightarrow 2^{\text{Permissions}}$
 $authorized_permissions(r) = \{p \mid r \geq r' \& (p, r') \in PA\}$
- RH \subseteq Roles \times Roles is a partial order
 - called the inheritance relation
 - written as \geq . $(r_1 \geq r_2) \rightarrow authorized_users(r_1) \subseteq authorized_users(r_2) \& authorized_permissions(r_2) \subseteq authorized_permissions(r_1)$

What do these mean?

Example

authorized_users(Employee)?
authorized_users(Administrator)?
authorized_permissions(Employee)?
authorized_permissions(Administrator)?

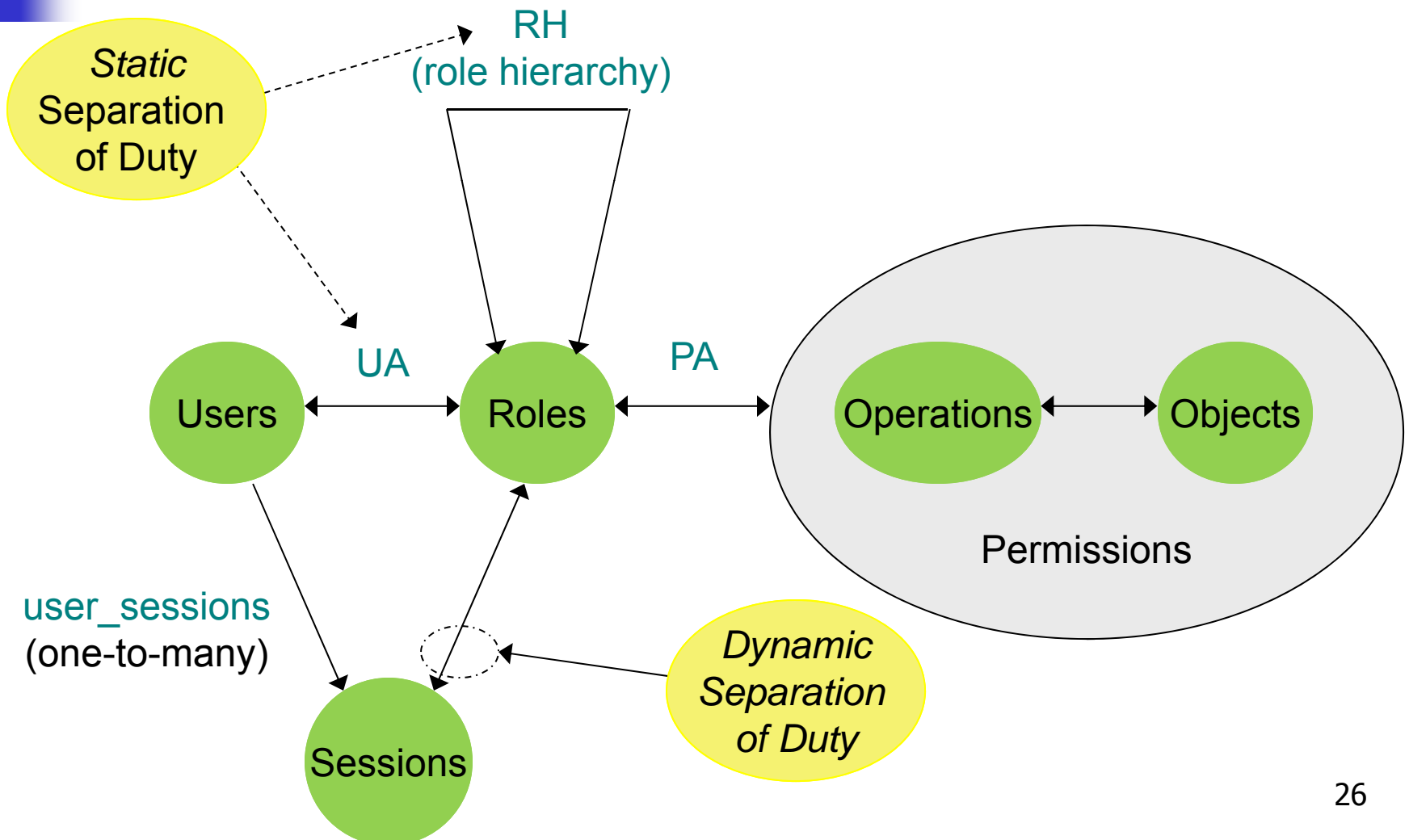




Separation of Duty

- SoD Security principle
 - Widely recognized
 - Captures conflict of interest policies to restrict authority of a single authority
 - Prevent Fraud
- Example,
 - A single person should not be allowed to “approve a check” & “cash it”

Constrained RBAC: SSD RBAC & DSD RBAC



Static Separation of Duty

- $SSD \subseteq 2^{\text{Roles}} \times \mathbb{N}$
- In absence of hierarchy
 - Collection of pairs (RS, n) where RS is a role set, $n \geq 2$
for all $(RS, n) \in SSD$, for all $t \subseteq RS$:
 $|t| \geq n \rightarrow \bigcap_{r \in t} \text{assigned_users}(r) = \emptyset$ ← Describe!
- In presence of hierarchy
 - Collection of pairs (RS, n) where RS is a role set, $n \geq 2$;
for all $(RS, n) \in SSD$, for all $t \subseteq RS$:
 $|t| \geq n \rightarrow \bigcap_{r \in t} \text{authorized_users}(r) = \emptyset$ ← Describe!



Dynamic Separation of Duty

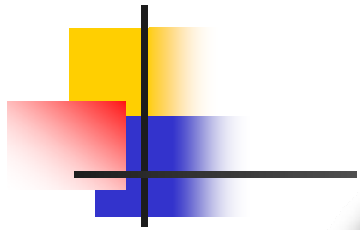
- $DSD \subseteq 2^{\text{Roles}} \times \mathbb{N}$
 - Collection of pairs (RS, n) where RS is a role set, $n \geq 2$;
 - A user cannot activate n or more roles from RS
 - What is the difference between SSD or DSD containing:
 (RS, n) ?
 - Consider $(RS, n) = (\{r_1, r_2, r_3\}, 2)$?
 - If SSD – can r_1, r_2 and r_3 be assigned to u ?
 - If DSD – can r_1, r_2 and r_3 be assigned to u ?



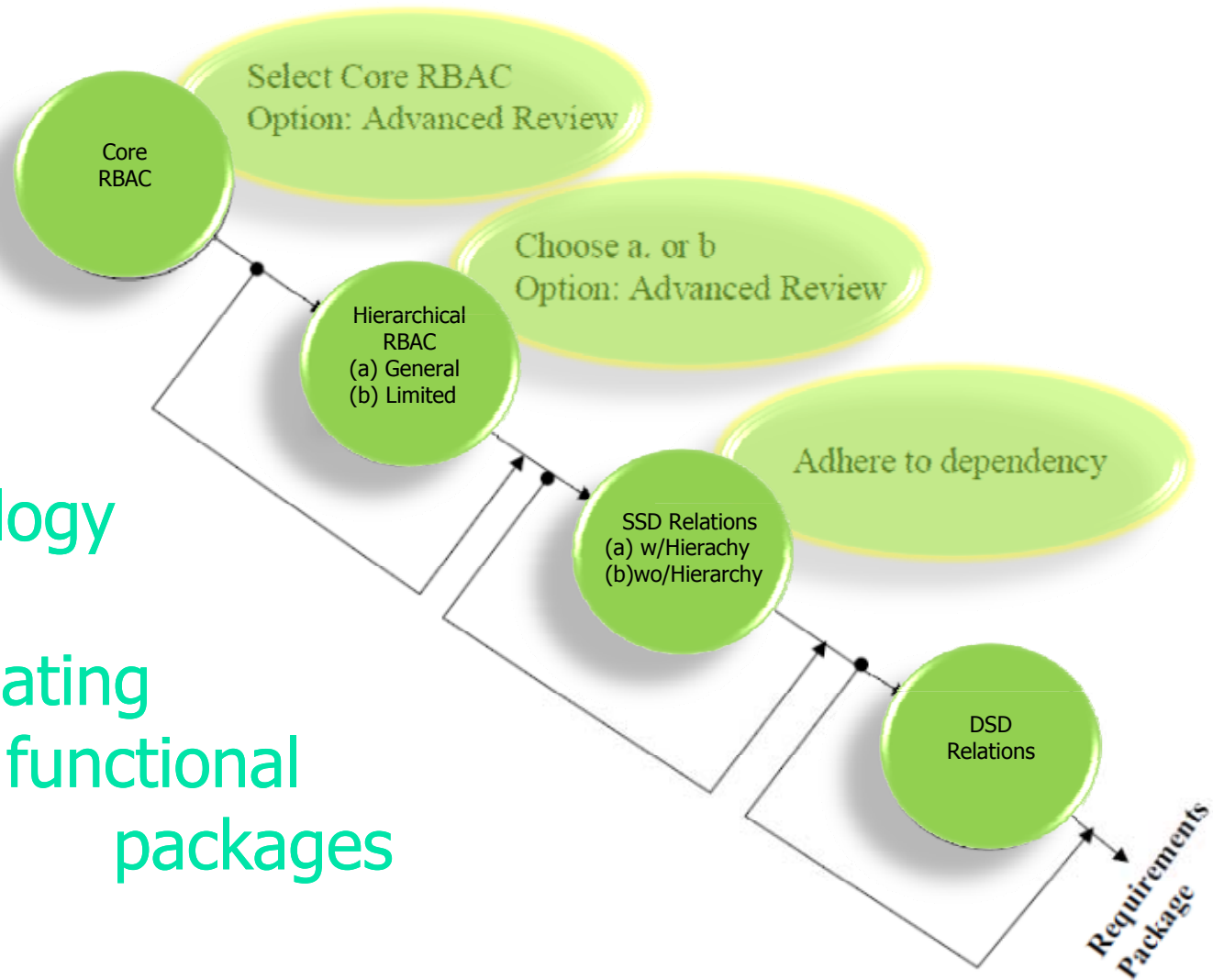
ANSI RBAC standard – Functional specification

- Administrative operations
 - Creation and maintenance of sets and relations
- Administrative review functions
 - To perform administrative queries
- System level functionality
 - Creating and managing RBAC attributes on user sessions and making access decisions

Functional Specification Package



Methodology
for
Creating
functional
packages





Advantages of RBAC

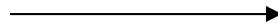
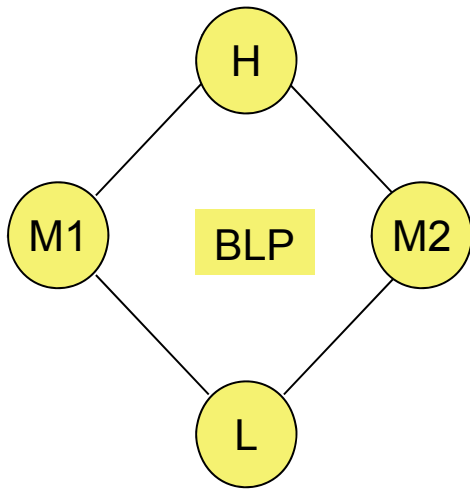
- Allows Efficient Security Management
 - Administrative roles, Role hierarchy
- Principle of least privilege
 - allows minimizing damage
- Separation of Duty constraints
 - to prevent fraud
- Allows grouping of objects / users
- Policy-neutral - Provides generality
 - Encompasses DAC and MAC policies



RBAC Extensions

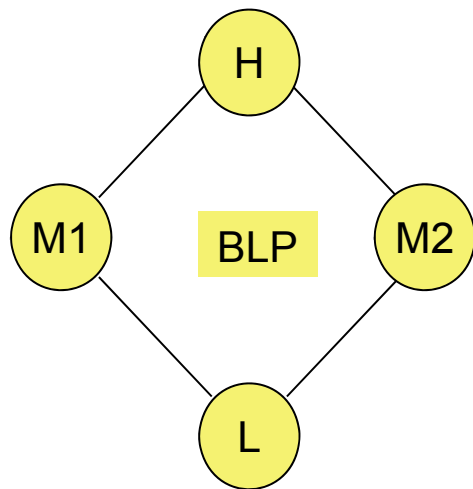
- Several Extensions have been made to make RBAC applicable to different application scenarios
 - TRBAC/GTRBAC (time based RBAC)
 - LoT/Geo RBAC (Location based)
 - GeoSocial RBAC
 - Privacy aware RBAC
 - Etc.

Can we represent BLP using RBAC?

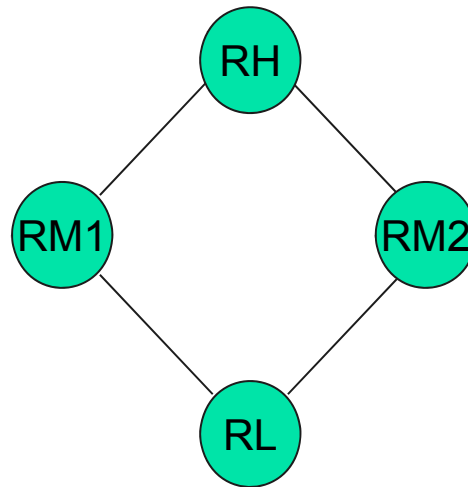


RBAC?

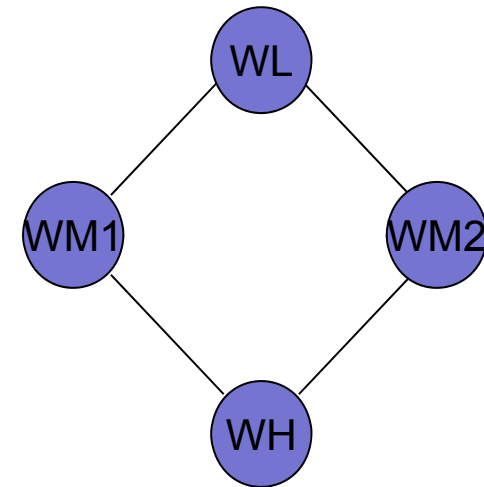
Can we represent BLP using RBAC?



Read Roles



Write Roles



Login with H



Activate RH & WH in the session

Login with x



Activate Rx & Wx in the session



Advantages of RBAC

- Allows Efficient Security Management
 - Administrative roles, Role hierarchy
- Principle of least privilege allows minimizing damage
- Separation of Duty constraints to prevent fraud
- Allows grouping of objects / users
- Policy-neutral - Provides generality
- Encompasses DAC and MAC policies



RBAC's Benefits

TABLE 1: ESTIMATED TIME (IN MINUTES)
REQUIRED FOR ACCESS ADMINISTRATIVE TASKS

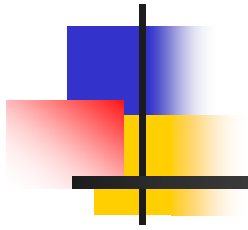
TASK	RBAC	NON-RBAC	DIFFERENCE
Assign existing privileges to new users	6.14	11.39	5.25
Change existing users' privileges	9.29	10.24	0.95
Establish new privileges for existing users	8.86	9.26	0.40
Termination of privileges	0.81	1.32	0.51



Cost Benefits

- Saves about 7.01 minutes per employee, per year in administrative functions
 - Average IT admin salary - \$59.27 per hour
 - The annual cost saving is:
 - \$6,924/1000;
 - \$692,471/100,000

How do we get this?



Policy Composition



Problem: *Consistent Policies*

- Policies defined by different organizations
 - Different needs
 - But sometimes subjects/objects overlap
- Can all policies be met?
 - Different categories
 - Build lattice combining them
 - Different security levels
 - Need to be *levels* – thus must be able to order
 - What if different DAC and MAC policies need to be integrated?



Secure Interoperability

- Principles of secure interoperation [Gong, 96]

- Principle of autonomy*

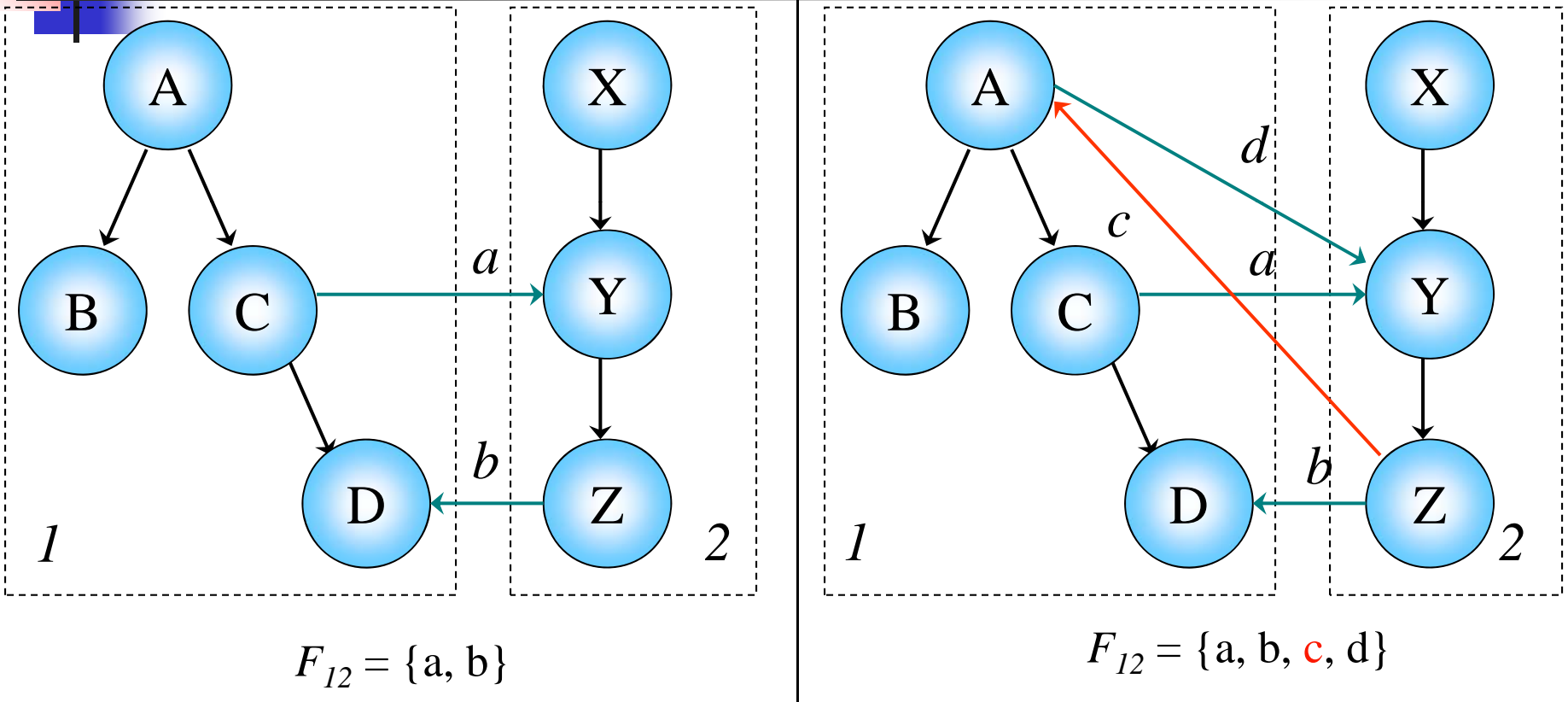
- If an access is permitted within an individual system, it must also be permitted under secure interoperation

- Principle of security*

- If an access is not permitted within an individual system, it must not be permitted under secure interoperation

- Interoperation of secure systems can create new security breaches

Secure Interoperability (Example)



F_{12} - permitted access between systems 1 and 2

(1) $F_{12} = \{a, b, d\}$
Direct access

(2) $F_{12} = \{c\}$
Indirect access



Summary

- Integrity polices
 - Level based and non-level based
- Chinese wall is a dynamic policy
 - Conflict classes
- RBAC – several advantages
 - based on duty/responsibility/function
 - Economic benefits as well as diversified